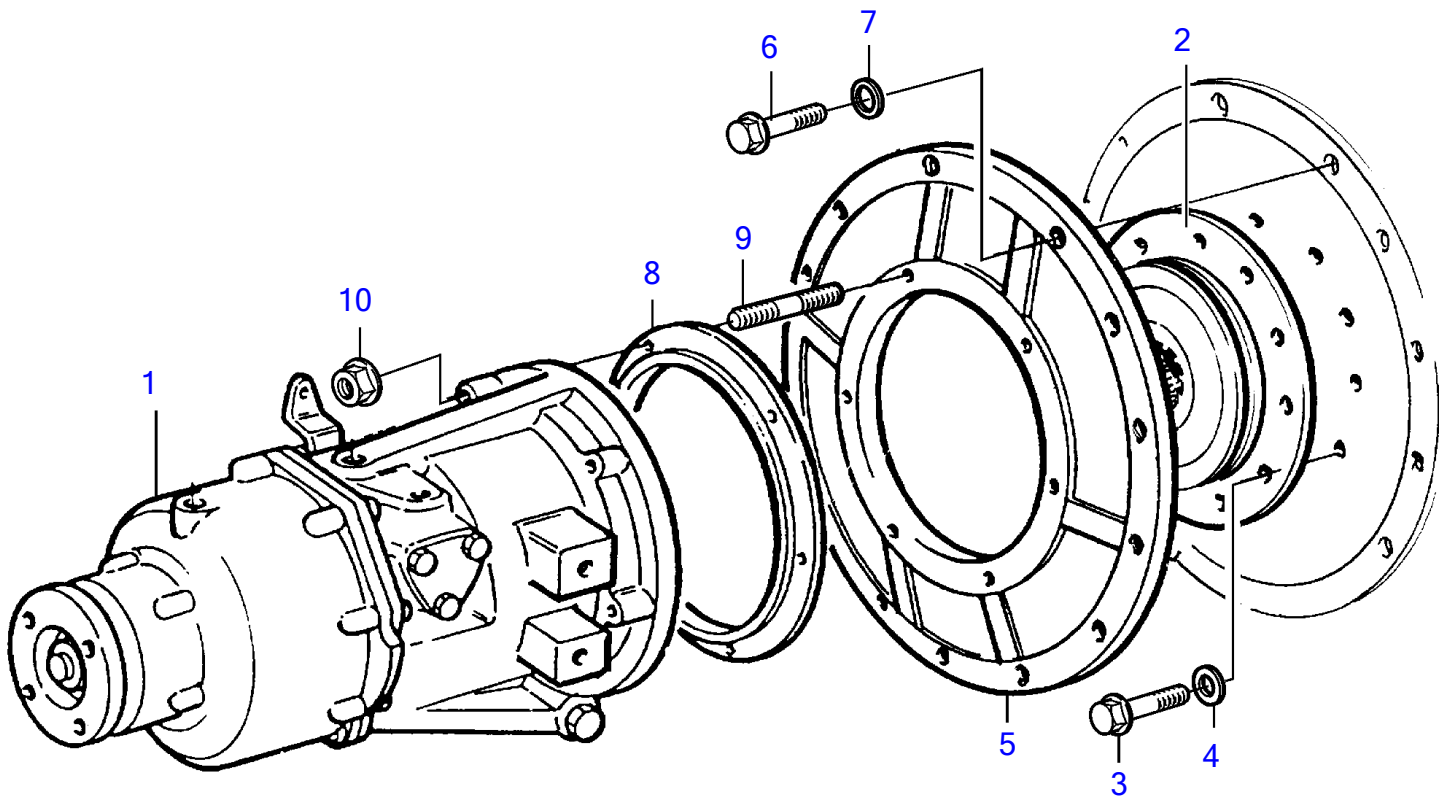


AD31L-A, AD31P-A, AD41L-A, AD41P-A, D41L-A, TAMD31L-A, TAMD31M-A, TAMD31P-A, TAMD31S-A, TAMD41H-A,  
TAMD41H-B, TAMD41P-A, TAMD41L-A, TAMD41M-A, TMD31L-A, TMD41L-A



19459

AD31L-A, AD31P-A, AD41L-A, AD41P-A, D41L-A, TAMD31L-A, TAMD31M-A, TAMD31P-A, TAMD31S-A, TAMD41H-A, TAMD41H-B, TAMD41P-A, TAMD41L-A, TAMD41M-A, TMD31L-A, TMD41L-A

REF	PART NO.	QTY	DESCRIPTION	NOTES
1		1	Reversing gear	
2	854753	1	Vibration damper	Replaced by 1pcs 3582751, vibration damper, 6pcs 959227, screw and 6pcs 941907, spring washer.
	3582751	1	Oscillation damper	
3	959227	6	Hex. socket screw	
4	941907	6	Spring washer	
5	829489	1	Cardboard tube	
6	946752	11	Flange screw	
7	941908	11	Spring washer	
8	859566	1	Spacer ring	
9	953084	6	Stud	
10	971095	6	Flange nut	